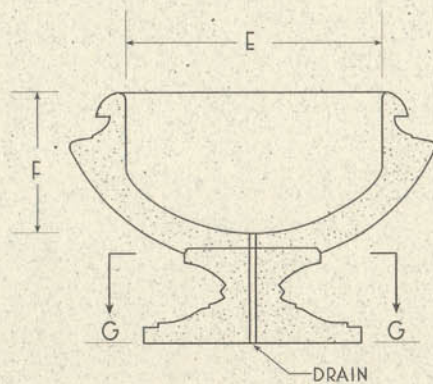
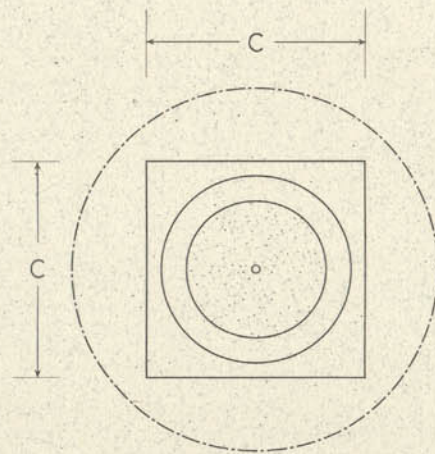


DETAIL OF GARDEN VASE



CUTAWAY



PLAN THRU GG

MR. FRANK LLOYD WRIGHT
RESIDENCE
OAK PARK, ILLINOIS
FRANK LLOYD WRIGHT
ARCHITECT
OAK PARK, ILLINOIS

1889

DIMENSIONS
LARGE MEDIUM SMALL

A 37 28 1/2 20

B 25 1/4 19 1/2 13 1/2

C 22 3/4 17 1/2 12 1/4

D 3 2 1/4 1 5/8

E 25 3/8 19 1/2 13 5/8

F 14 1/4 11 7 5/8